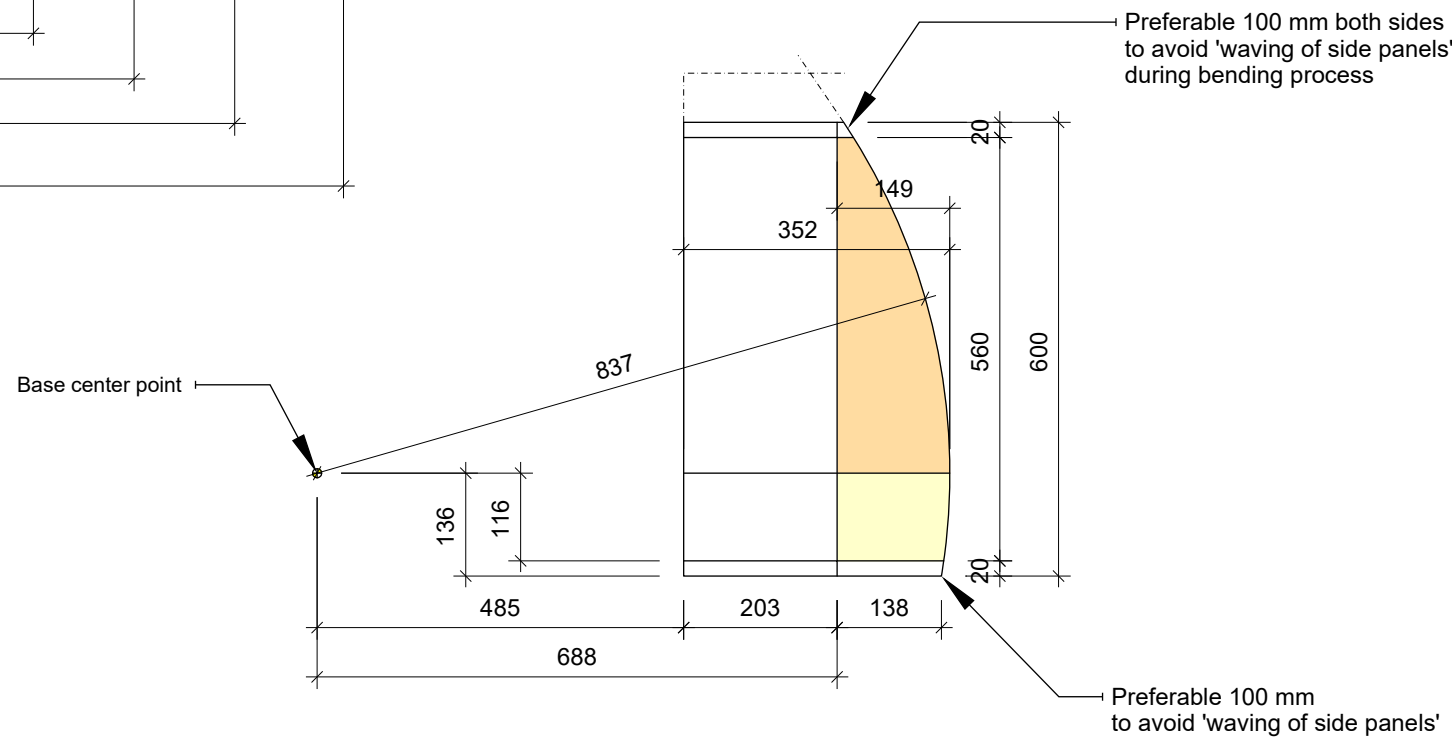
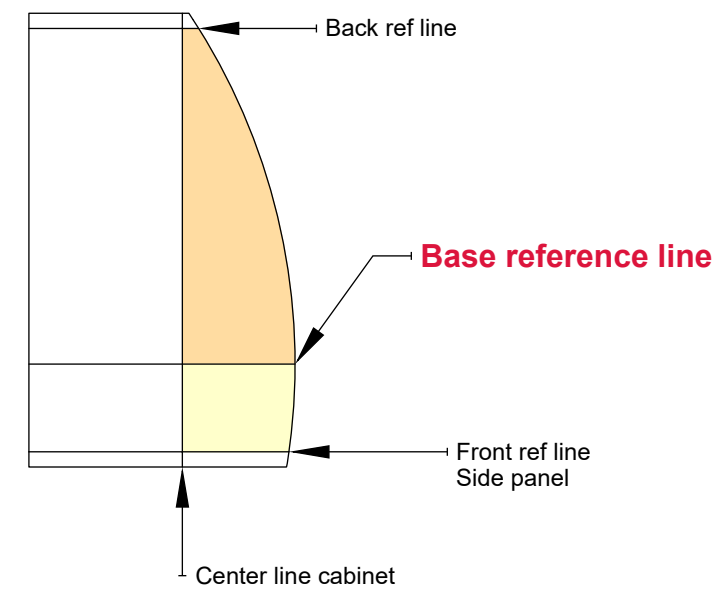


See also drawing 9



None of the constructions, illustrations or information presented here may be used for commercial purposes and cannot be licensed.

DRAWING MADE BY  
**Ronald van Haaften**  
 DRAWING TITLE  
**Side panel bend jig**

**Jenzen NEXT**  
 By Troels Gravesen  
 SEAS CRESCENDO T29CF002 E0040  
 SEAS W18NX003 E0096-08  
 SEAS W26FX002 E0046

DATE  
**19-08-2023**  
 VERSION  
**v001**

Design modified by:  
**Ronald van Haaften**  
 The Netherlands  
<https://www.van-haaften.nl>

**A3**

**26**