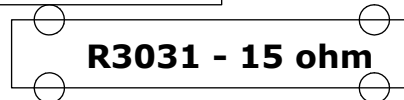
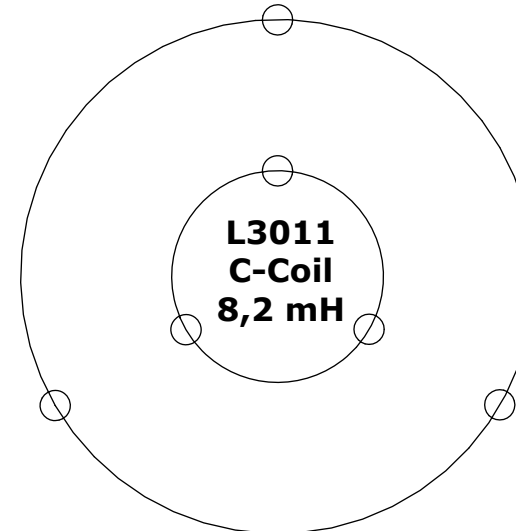
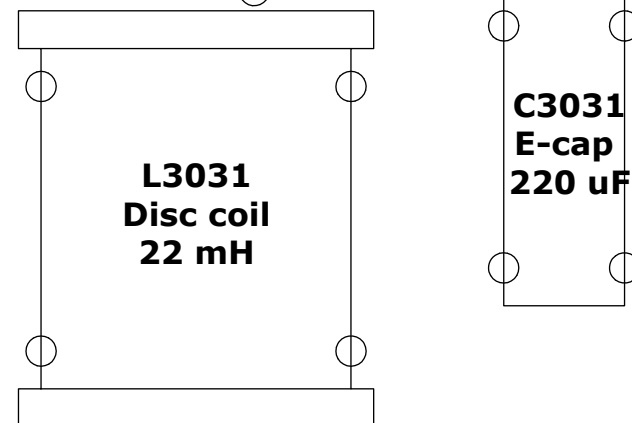
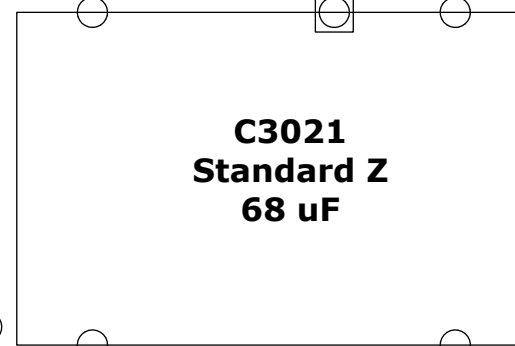
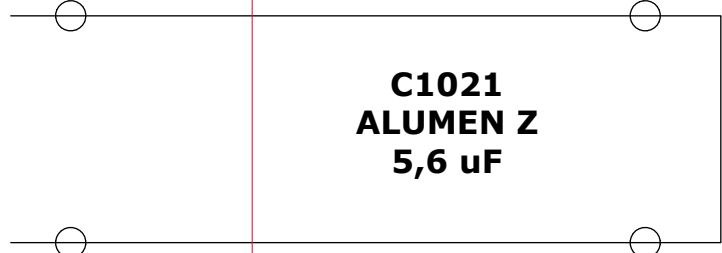
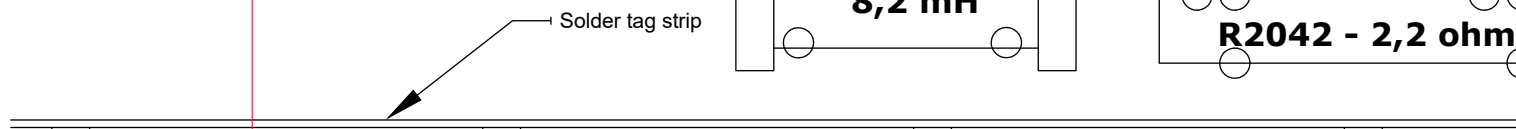
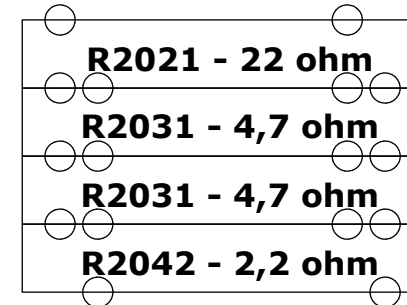
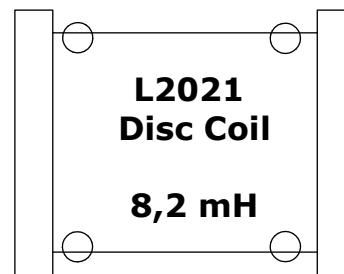
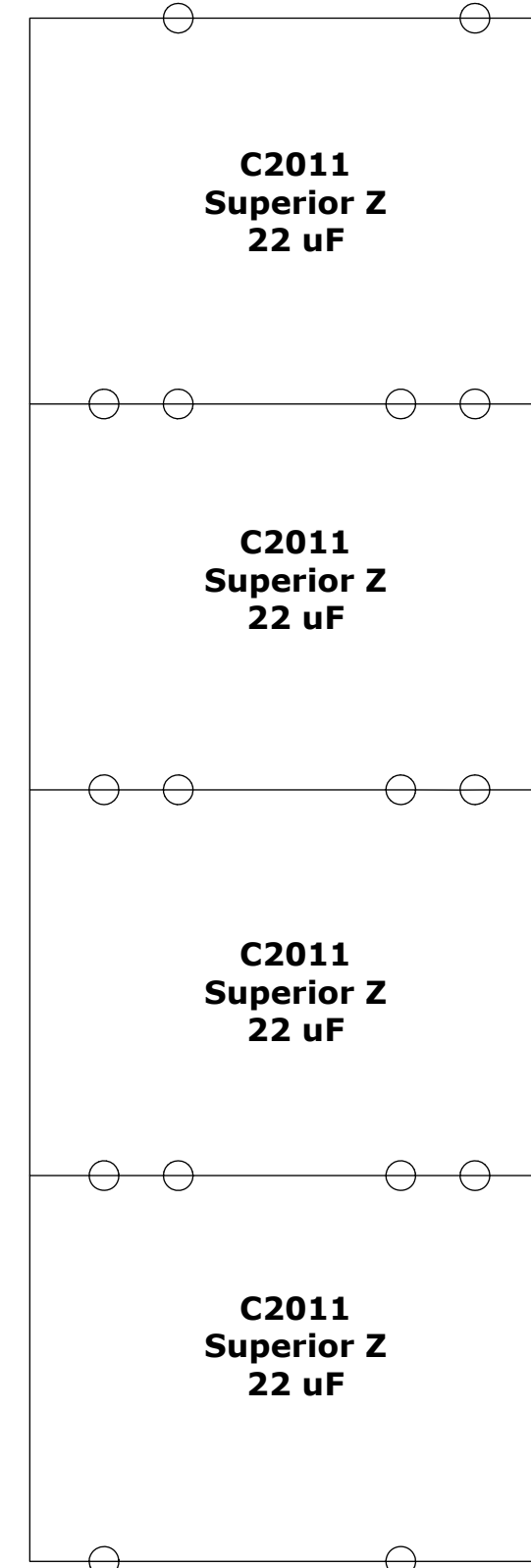
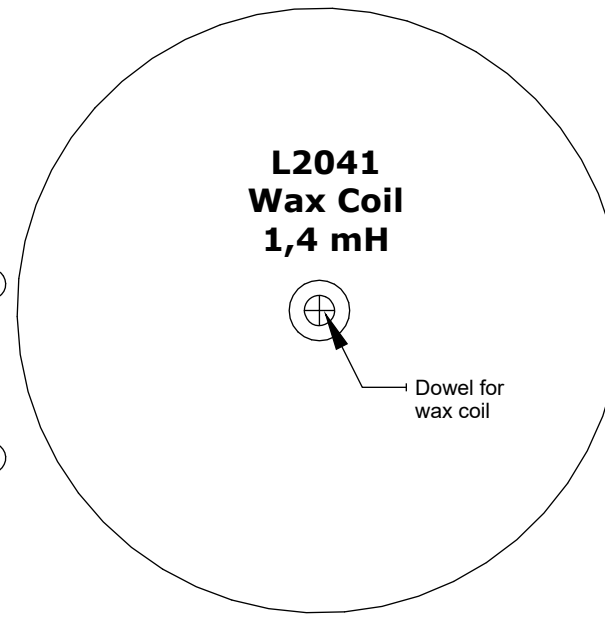
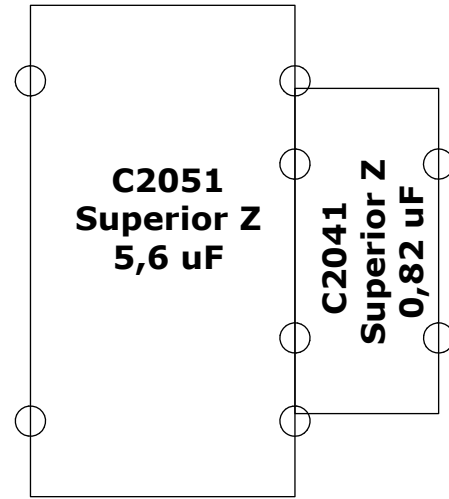
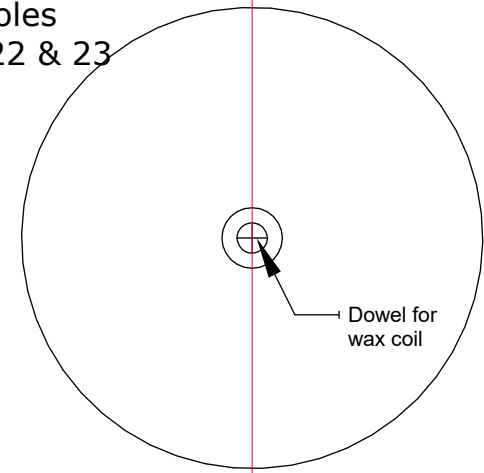


Crossover board
Scale 1:1

Template drilling holes
Glue A3 drawings 22 & 23

Drawing 23

Drawing 22



Drawing 23

Drawing 22

None of the constructions, illustrations or information presented here may be used for commercial purposes and cannot be licensed.

Design modified by: Ronald van Haaften The Netherlands https://www.van-haaften.nl	DATE 19-08-2023	Jenzen NEXT By Troels Gravesen SEAS CRESCENDO T29CF002 E0040 SEAS W18NX003 E0096-08 SEAS W26FX002 E0046	v001
DRAWING MADE BY Ronald van Haaften	v001	DRAWING TITLE Crossover layout template 1/2	

A3

24