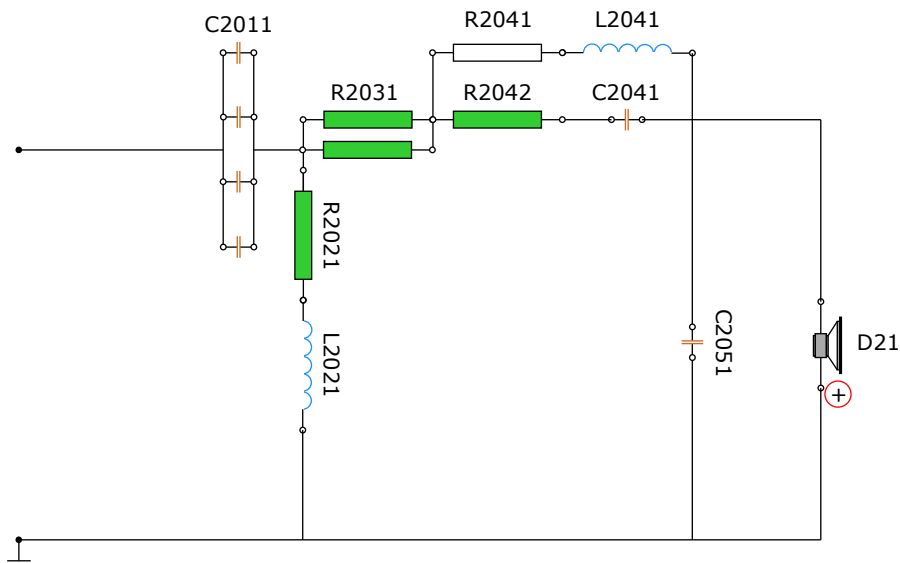


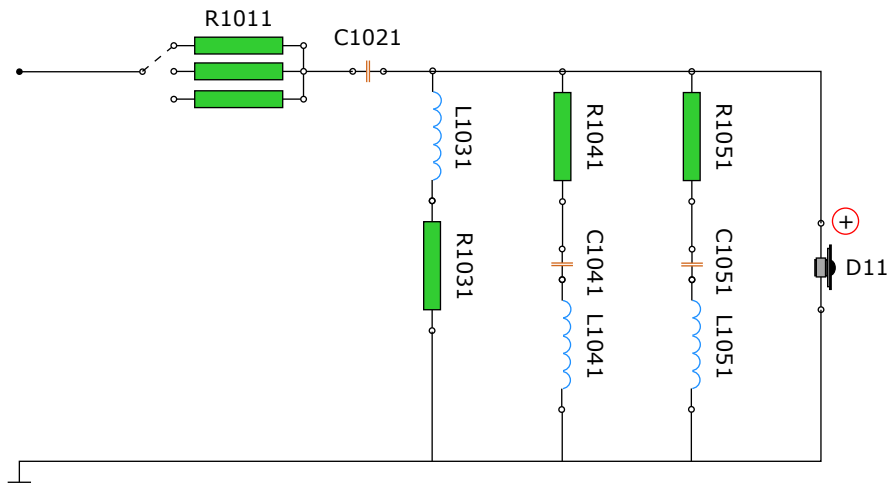
**Low -> D31 : SEAS W26FX002**

<b>R3011</b>	1,190 ohm	Internal coil resistance
<b>L3011</b>	8,200 mH	C-coil
<b>C3021</b>	68,00 uF	MKP Standard Z-cap
<b>R3031</b>	15,0 ohm	Superes 10 watt
<b>C3031</b>	220,0 uF	EleCap
<b>L3021</b>	22,00 mH	Iron Core Coil With Discs 18AWG



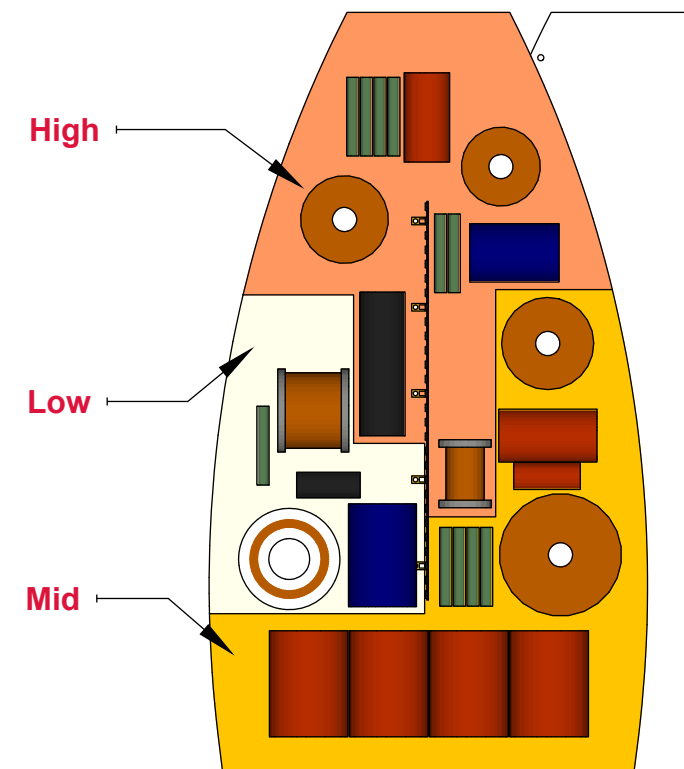
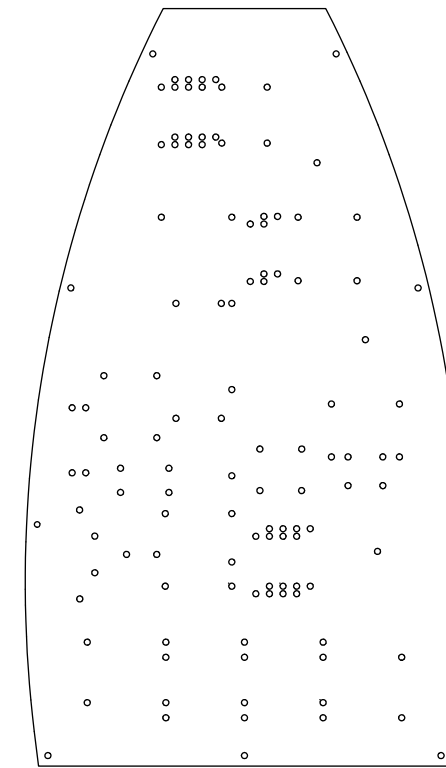
**Mid -> D21 : SEAS W18NX003**

<b>C2011</b>	88,00 uF	MKP Superior Z-Cap   4 x 22 uF
<b>R2021</b>	2,2 ohm	Superes
<b>L2021</b>	8,200 mH	Iron Core Coil With Discs 20 AWG
<b>R2031</b>	2,35 ohm	Superes
<b>R2041</b>	0,400 ohm	Internal coil resistance
<b>R2042</b>	22,0 ohm	Superes
<b>C2041</b>	0,820 uF	MKP Superior Z-cap
<b>L2041</b>	1,400 mH	Wax Coil 16 AWG
<b>C2051</b>	5,600 uF	MKP Superior Z-cap



**High -> D11 : SEAS T29CF002 Crescendo**

<b>R1011</b>	2,7 ohm 3,3 ohm 3,9 ohm	Superes Superes Superes
<b>C1021</b>	5,6 uF	Alumen Z-cap
<b>R1031</b>	1,5 ohm	Superes
<b>L1031</b>	0,390 mH	Wax coil 16 AWG
<b>R1041</b>	4,7 ohm	Superes
<b>C1041</b>	47,00 uF	MKP Standard Z-cap
<b>L1041</b>	0,47 mH	Wax coil 16 AWG
<b>R1051</b>	6,8 ohm	Superes
<b>C1051</b>	4,7 uF	Wax coil 16 AWG
<b>L1051</b>	0,27 mH	MKP Superior Z-cap



None of the constructions, illustrations or information presented here may be used for commercial purposes and cannot be licensed.

Design modified by:  
**Ronald van Haaften**  
The Netherlands  
<https://www.van-haaften.nl>

DATE  
19-08-2023  
VERSION  
v001

Jenzen NEXT  
By Troels Gravesen  
SEAS CRESCENDO T29CF002 E0040  
SEAS W18NX003 E0096-08  
SEAS W26FX002 E0046

DRAWING MADE BY  
Ronald van Haaften  
DRAWING TITLE  
Crossover as built  
v001