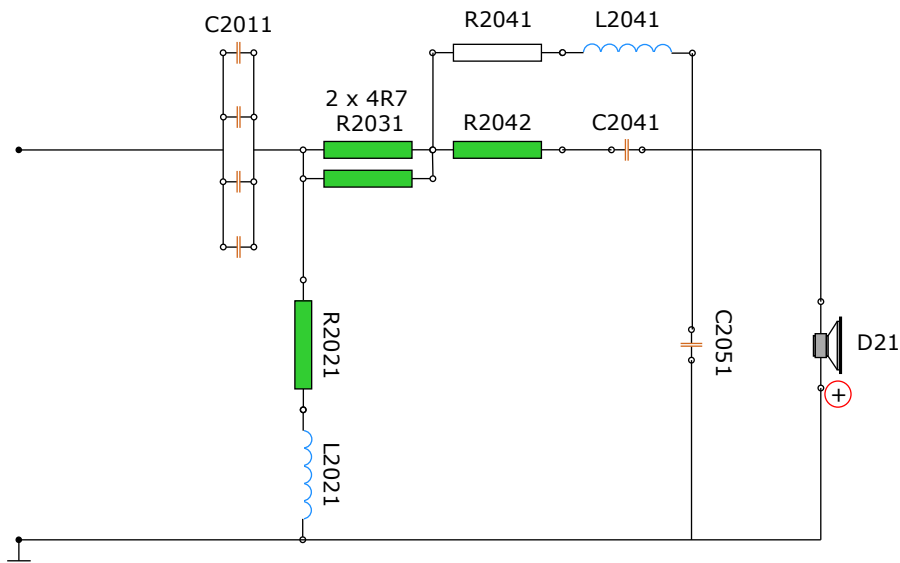


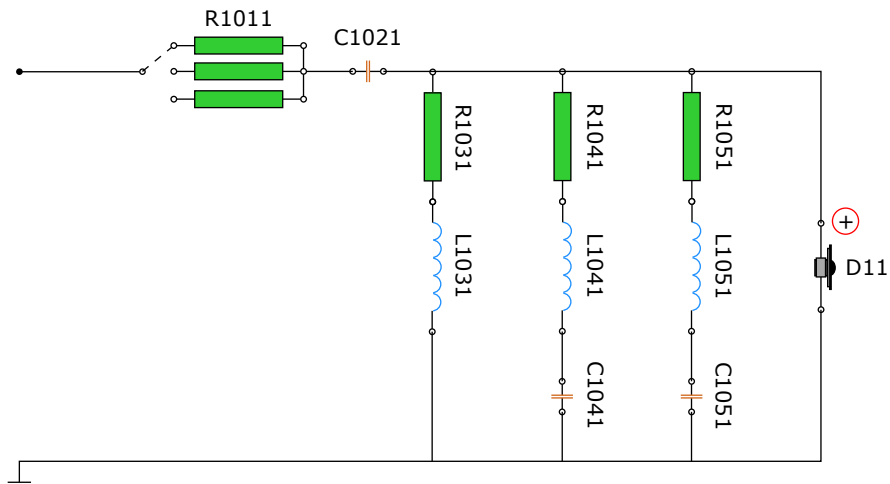
Low -> D31 : SEAS W26FX002

R3011	1,190 ohm	Internal coil resistance
L3011	8,200 mH	C-coil
C3021	68,00 uF	MKP Standard Z-cap
R3031	15,0 ohm	Superes 10 watt
C3031	220,0 uF	EleCap
L3021	22,00 mH	Iron Core Coil With Discs 18AWG



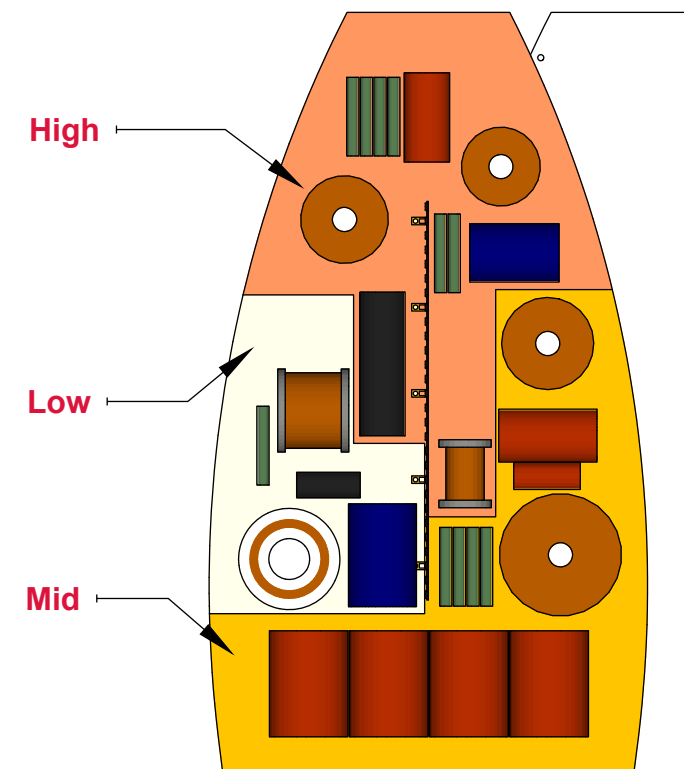
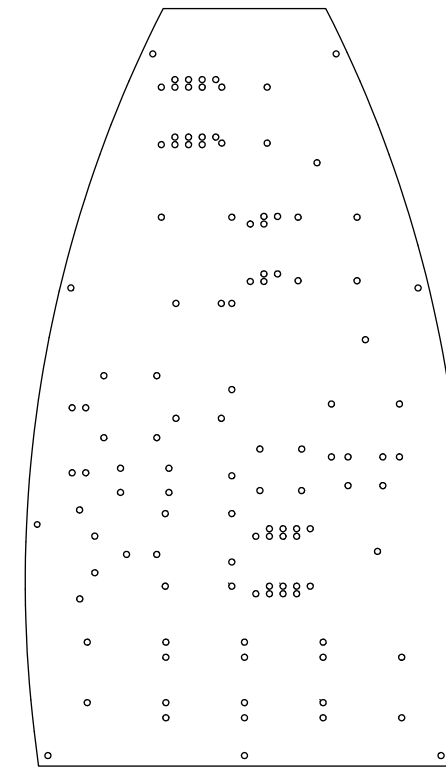
Mid -> D21 : SEAS W18NX003

C2011	88,00 uF	MKP Superior Z-Cap 4 x 22 uF
R2021	2,2 ohm	Superes
L2021	8,200 mH	Iron Core Coil With Discs 20 AWG
R2031	2,35 ohm	Superes
R2041	0,400 ohm	Internal coil resistance
R2042	22,0 ohm	Superes
C2041	0,820 uF	MKP Superior Z-cap
L2041	1,400 mH	Wax Coil 16 AWG
C2051	5,600 uF	MKP Superior Z-cap



High -> D11 : SEAS T29CF002 Crescendo

R1011	2,7 ohm 3,3 ohm 3,9 ohm	Superes Superes Superes
C1021	5,6 uF	Alumen Z-cap
R1031	1,5 ohm	Superes
L1031	0,390 mH	Wax coil 16 AWG
R1041	4,7 ohm	Superes
C1041	47,00 uF	MKP Standard Z-cap
L1041	0,47 mH	Wax coil 16 AWG
R1051	6,8 ohm	Superes
C1051	4,7 uF	Wax coil 16 AWG
L1051	0,27 mH	MKP Superior Z-cap



None of the constructions, illustrations or information presented here may be used for commercial purposes and cannot be licensed.

Design modified by:
Ronald van Haaften
The Netherlands
<https://www.van-haaften.nl>

DATE
19-08-2023
VERSION
v001

Jenzen NEXT
By Troels Gravesen
SEAS CRESCENDO T29CF002 E0040
SEAS W18NX003 E0096-08
SEAS W26FX002 E0046

DRAWING MADE BY
Ronald van Haaften
v001
DRAWING TITLE
Crossover design