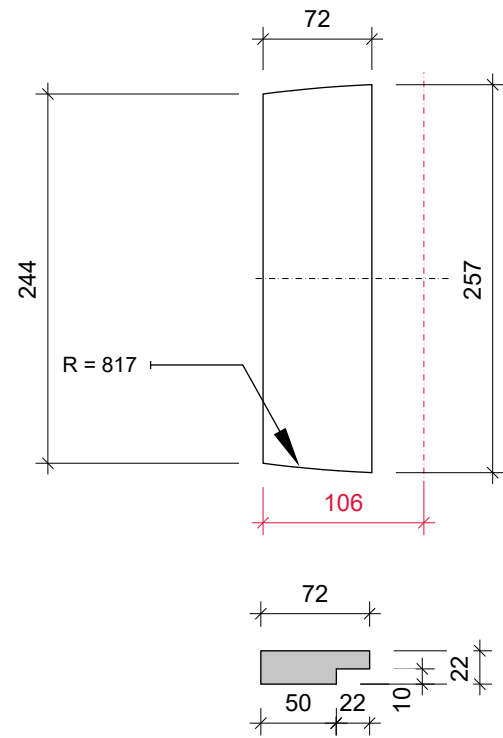
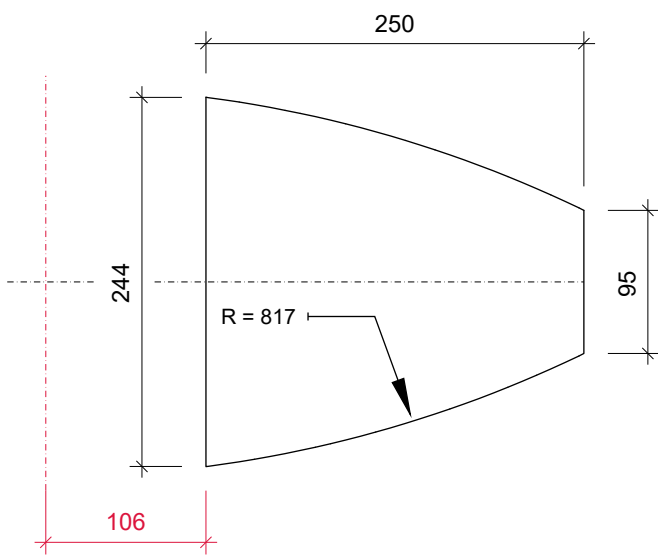


30 TL chamber panel
mid section - horizontal



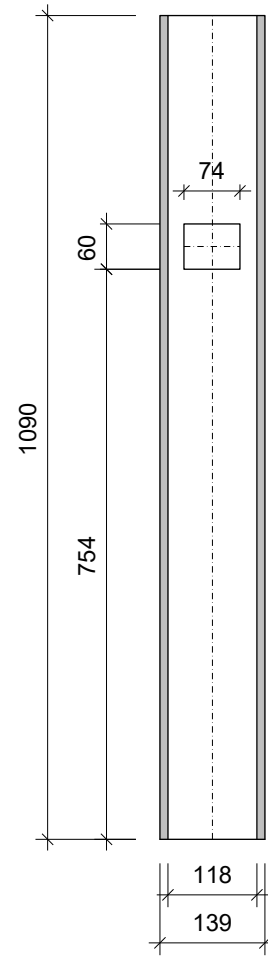
31 TL chamber panel
mid section - horizontal



RED dimensions refer to base reference line
(see drawing 09)

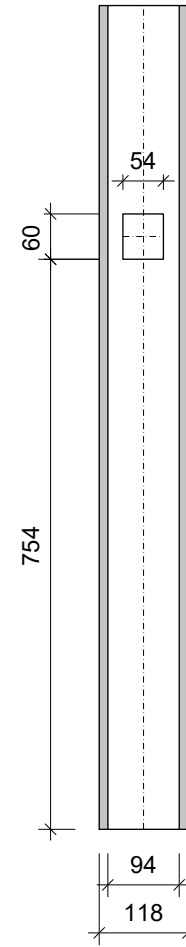
11

Cabinet tail
base plate



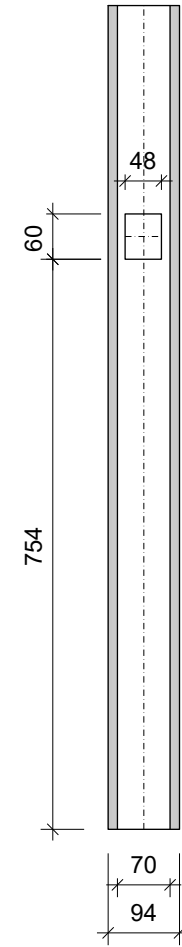
12

Cabinet tail
2nd plate



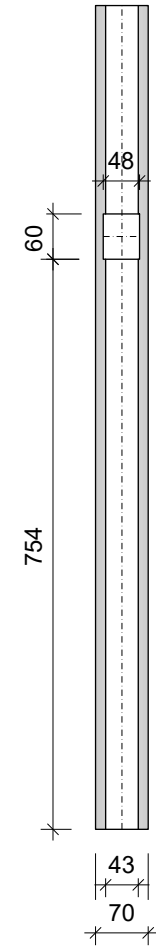
13

Cabinet tail
3rd plate

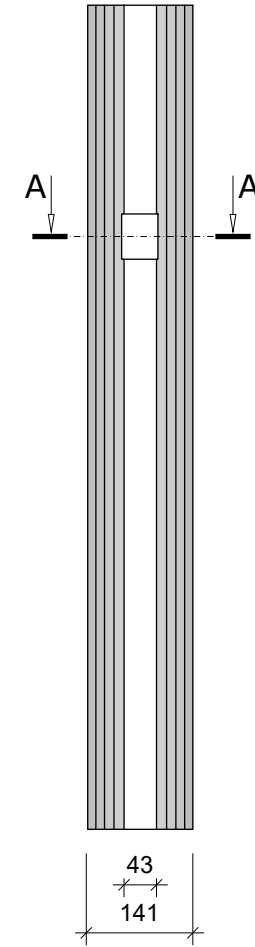


14

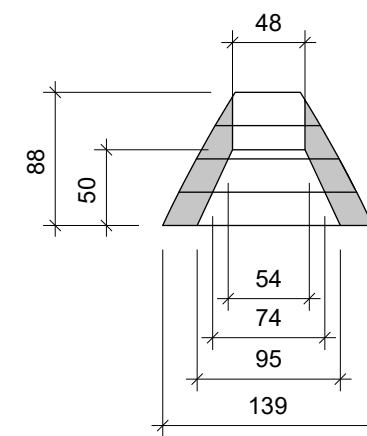
Cabinet tail
End plate



Cabinet tail
assembly



Cross section
A - A



None of the constructions, illustrations or information presented here may be used for commercial purposes and cannot be licensed.

Design modified by: Ronald van Haaften The Netherlands	DATE 19-08-2023	VERSION v001	URL https://www.van-haaften.nl
Jenzen NEXT By Troels Gravesen	SEAS CRESCENDO T29CF002 E0040	SEAS W18NX003 E0096-08	SEAS W26FX002 E0046
DRAWING MADE BY Ronald van Haaften	v001	DRAWING TITLE Part detail 11:14 & 30:31	

A3