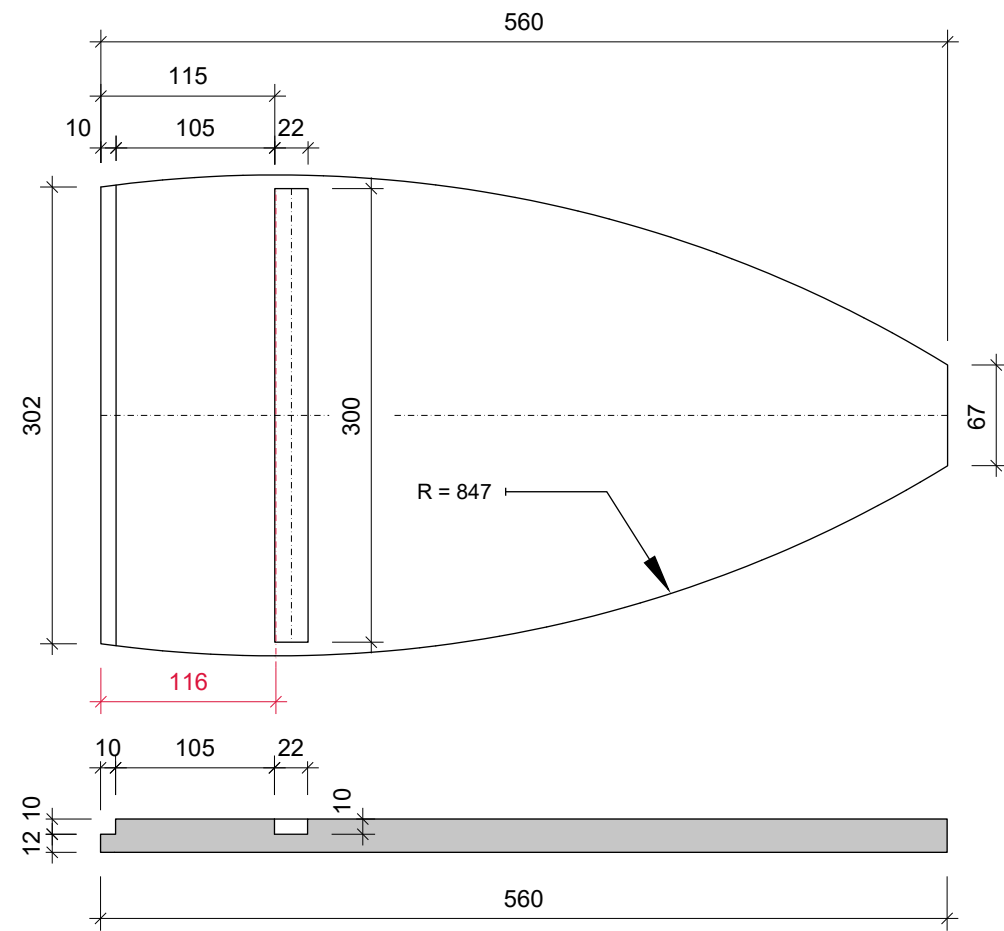
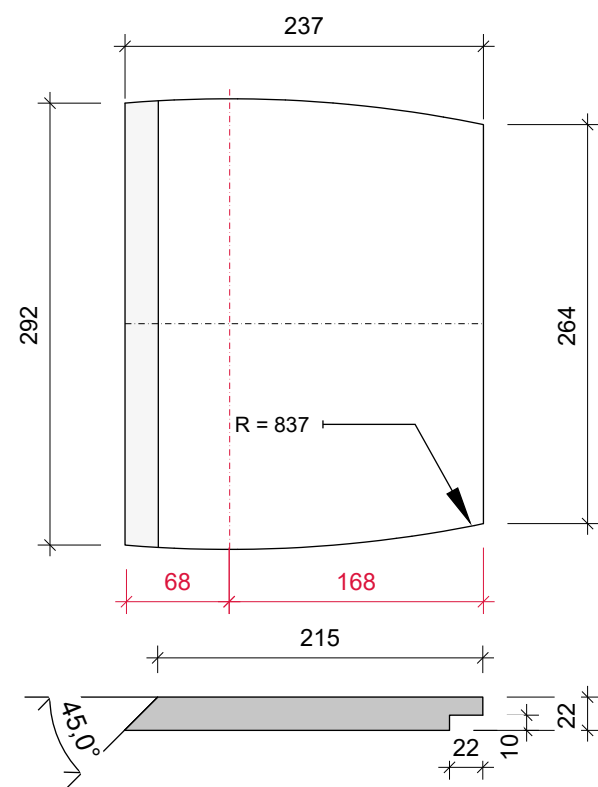


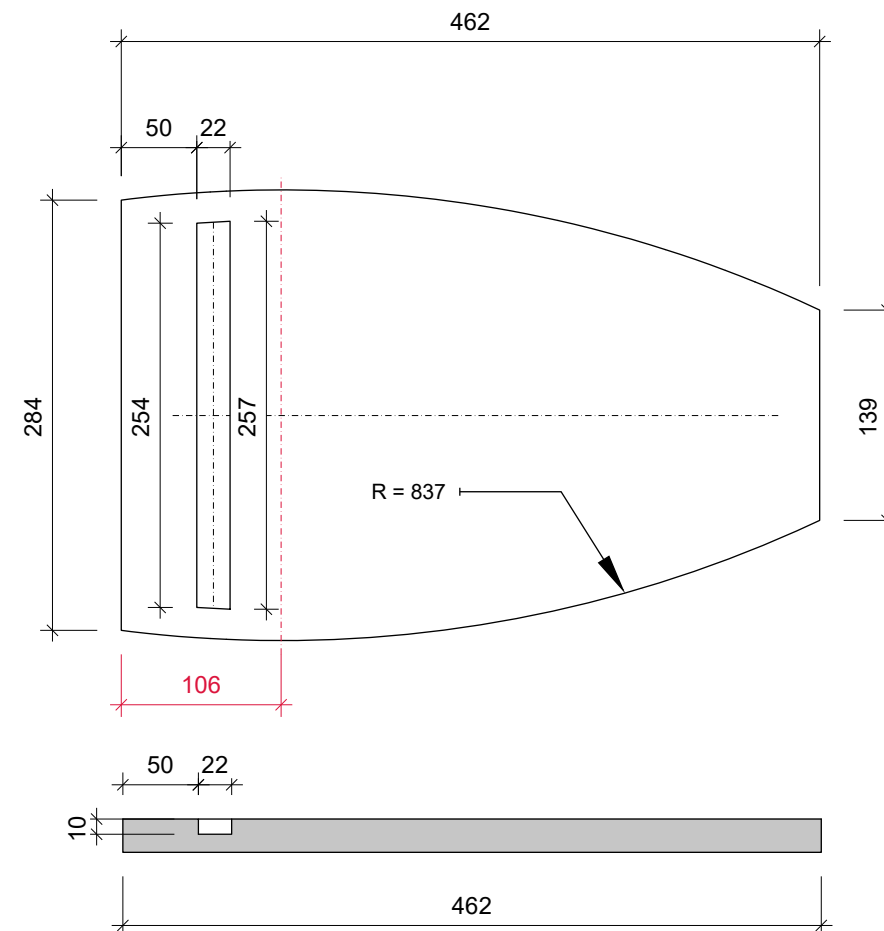
20 **Cabinet bottom plate**



22 **TL chamber panel low section - horizontal**

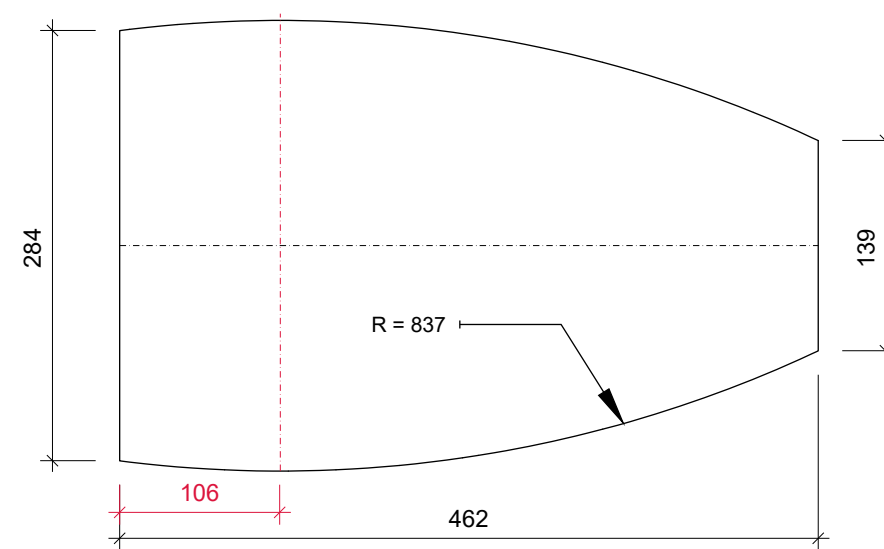


25 **Cabinet internal mid - bottom plate**



23 **Cabinet internal top plate - 4 mm**

24 **Cabinet internal top plate - 4 mm**



RED dimensions refer to base reference line (see drawing 09)

None of the constructions, illustrations or information presented here may be used for commercial purposes and cannot be licensed.

DRAWING MADE BY Ronald van Haaften	v001	DRAWING TITLE Part detail 20 & 22:25	Jenzen NEXT	DATE	Design modified by:
			By Troels Gravesen	19-08-2023	Ronald van Haaften The Netherlands
SEAS CRESCENDO T29CF002 E0040			VERSION		https://www.van-haaften.nl
SEAS W18NX003 E0096-08			v001		
SEAS W26FX002 E0046					