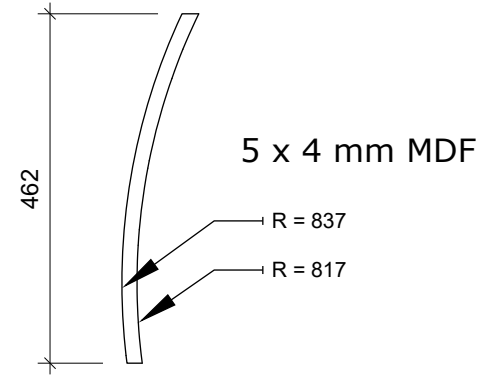


All material 22 mm MDF unless specified otherwise



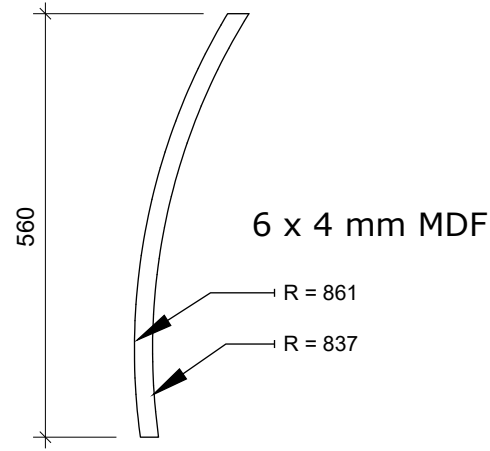
15

Cabinet - internal
Left side panel



16

Cabinet - internal
Right side panel



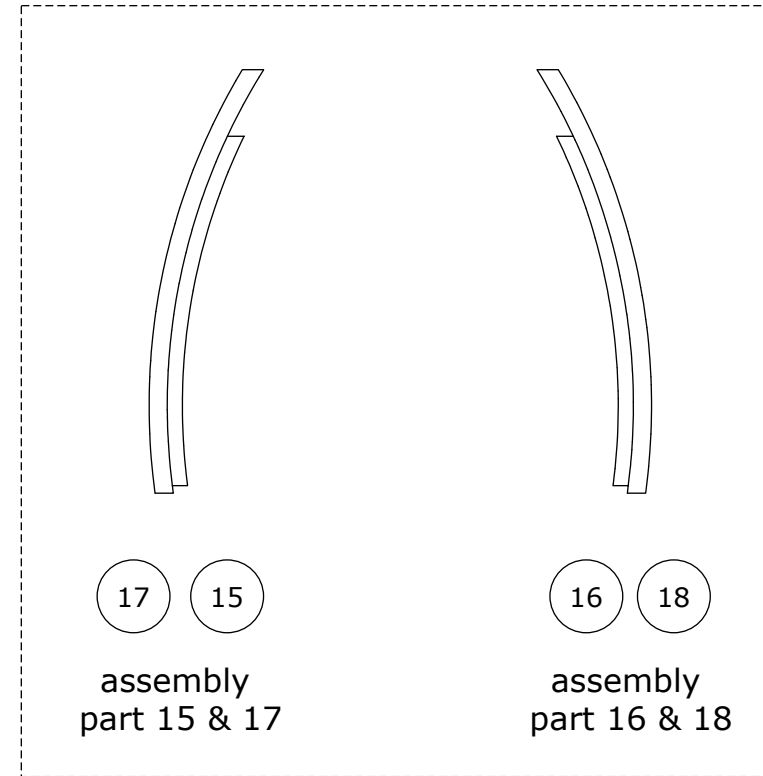
17

Cabinet
Left side panel



18

Cabinet
Right side panel



17

15

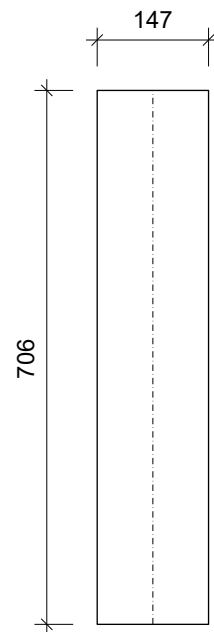
assembly
part 15 & 17

16

18

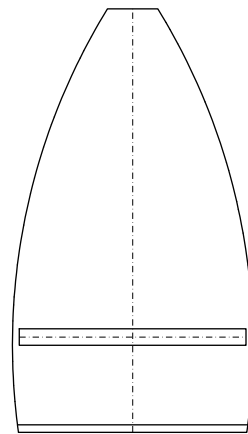
assembly
part 16 & 18

RED dimensions refer to base reference line
(see drawing 09)



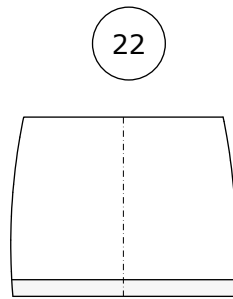
19

Cabinet - internal
Woofer volume reducer



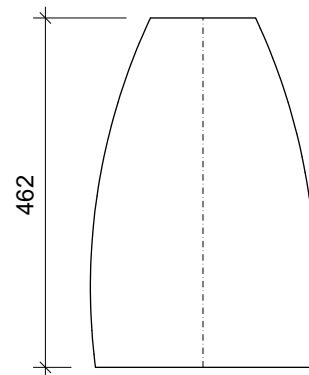
20

Cabinet
Bottom plate



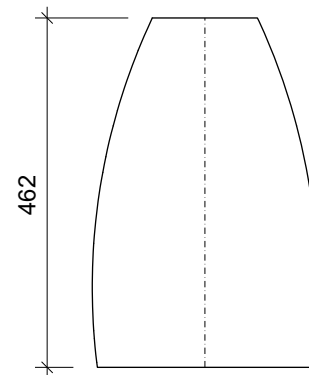
21

TL chamber panel
low section - horizontal



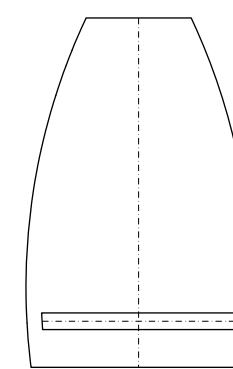
23

Cabinet -internal
Woofer top plate



24

Cabinet - internal
Woofer top plate



25

Cabinet - internal
Mid bottom plate

None of the constructions, illustrations or information presented here may be used for commercial purposes and cannot be licensed.

DRAWING MADE BY
Ronald van Haaften
DRAWING TITLE
Parts 15:25

Jenzen NEXT
By Troels Gravesen
SEAS CRESCENDO T29CF002 E0040
SEAS W18NX003 E0096-08
SEAS W26FX002 E0046

DATE
19-08-2023
VERSION
v001

Design modified by:
Ronald van Haaften
The Netherlands
<https://www.van-haaften.nl>

A3

12