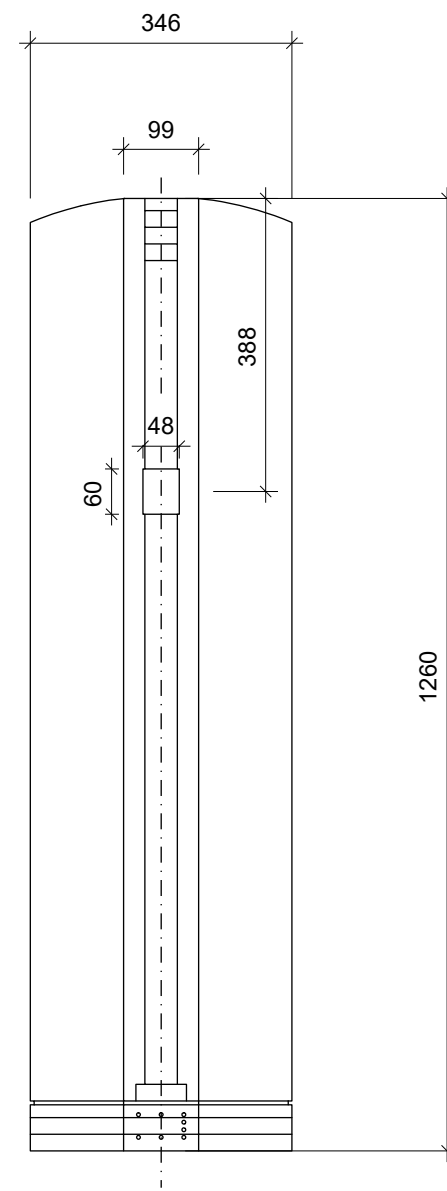
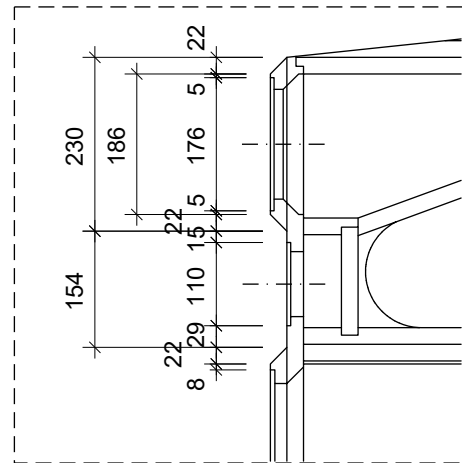


Tweeter and mid section dimensions



None of the constructions, illustrations or information presented here may be used for commercial purposes and cannot be licensed.

DRAWING MADE BY  
Ronald van Haaften

Jenzen NEXT  
By Troels Gravesen  
SEAS CRESCENDO T29CF002 E0040  
SEAS W18NX003 E0096-08  
SEAS W26FX002 E0046

DATE  
19-08-2023

Design modified by:  
Ronald van Haaften  
The Netherlands  
<https://www.van-haaften.nl>

VERSION  
v001

DRAWING TITLE  
Dimensions Rovaha design